



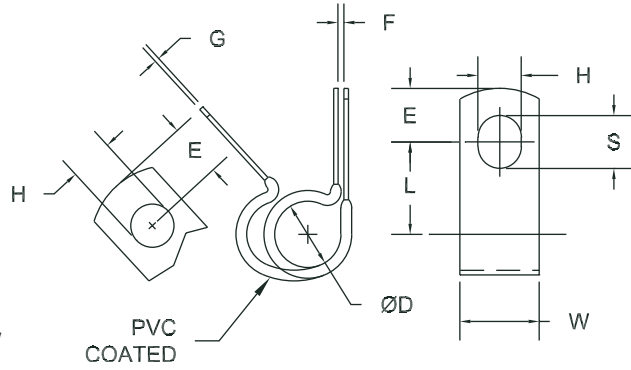
310 SERIES MEDIUM DUTY CLAMP — COATED

Clip Specifications

Diameter: 1/8" - 4"
Bolt Size: 1/4" - 1/2"
Position: Furnished Open
Coating: Black Vinyl Plastisol Coating Per SAE J200
 0.032" Thick ± .015"

Notes: Medium duty clip that can be slipped over a tube or wire and closed with a bolt at assembly, one round hole and one slot for ease of alignment, and a developed shape for proper closing.

Material Code: A - ASTM A653 CS Type B G90 Galvanized Steel
 B - ASTM A1008 CS Type B Low Carbon Steel Zinc Plate per ASTM B633 Fe/Zn 8 Type VI Yellow



Part Number Call Out

F313-008 A Clamp Coated, Galv, 1/2" Dia, 3/8" Bolt
 └── Material Code
 └── Base Part Number

Different sizes, materials, and/or finishes not shown can be manufactured to meet your specifications

Base Part Number	D	H	L	W	E	F	G	S
	Clamping Diameter	Hole Diameter	Center to Center	Width	Hole/Slot Center to End	Gap	Material Thickness	Slot Length
	± .015	± .005	± .031	± .010	± .015	± .032	± .002	± .020
F311-002	0.125	0.281	0.468	0.500	0.312	0.031	0.032	0.375
F312-002	0.125	0.343	0.531	0.625	0.375	0.031	0.032	0.437
F313-002	0.125	0.406	0.593	0.750	0.437	0.031	0.032	0.500
F311-003	0.187	0.281	0.500	0.500	0.312	0.031	0.032	0.375
F312-003	0.187	0.343	0.562	0.625	0.375	0.031	0.032	0.437
F313-003	0.187	0.406	0.625	0.750	0.437	0.031	0.032	0.500
F311-004	0.250	0.281	0.531	0.500	0.312	0.031	0.032	0.375
F312-004	0.250	0.343	0.593	0.625	0.375	0.031	0.032	0.437
F313-004	0.250	0.406	0.656	0.750	0.437	0.031	0.032	0.500
F311-005	0.312	0.281	0.562	0.500	0.312	0.031	0.032	0.375
F312-005	0.312	0.343	0.625	0.625	0.375	0.031	0.032	0.437
F313-005	0.312	0.406	0.687	0.750	0.437	0.031	0.032	0.500
F311-006	0.375	0.281	0.593	0.500	0.312	0.062	0.032	0.375
F312-006	0.375	0.343	0.656	0.625	0.375	0.062	0.032	0.437
F313-006	0.375	0.406	0.718	0.750	0.437	0.062	0.032	0.500
F314-006	0.375	0.468	0.781	0.875	0.500	0.062	0.032	0.562
F311-007	0.437	0.281	0.625	0.500	0.312	0.062	0.048	0.375
F312-007	0.437	0.343	0.687	0.625	0.375	0.062	0.048	0.437
F313-007	0.437	0.406	0.750	0.750	0.437	0.062	0.048	0.500
F314-007	0.437	0.468	0.812	0.875	0.500	0.062	0.048	0.562
F315-007	0.437	0.531	0.875	1.000	0.562	0.062	0.048	0.625
F311-008	0.500	0.281	0.656	0.500	0.312	0.062	0.048	0.375
F312-008	0.500	0.343	0.718	0.625	0.375	0.062	0.048	0.437
F313-008	0.500	0.406	0.781	0.750	0.437	0.062	0.048	0.500
F314-008	0.500	0.468	0.843	0.875	0.500	0.062	0.048	0.562
F315-008	0.500	0.531	0.906	1.000	0.562	0.062	0.048	0.625

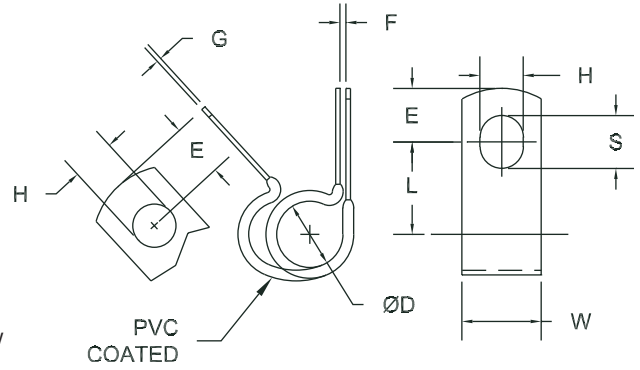


Clip Specifications

Diameter: 1/8" - 4"
Bolt Size: 1/4" - 1/2"
Position: Furnished Open
Coating: Black Vinyl Plastisol Coating Per SAE J200
 0.032" Thick ± .015"

Notes: Medium duty clip that can be slipped over a tube or wire and closed with a bolt at assembly, one round hole and one slot for ease of alignment, and a developed shape for proper closing.

Material Code: A - ASTM A653 CS Type B G90 Galvanized Steel
 B - ASTM A1008 CS Type B Low Carbon Steel Zinc Plate per ASTM B633 Fe/Zn 8 Type VI Yellow



Part Number Call Out

F313-008 A Clamp Coated, Galv, 1/2" Dia, 3/8" Bolt
 Material Code
 Base Part Number

Different sizes, materials, and/or finishes not shown can be manufactured to meet your specifications

Base Part Number	D	H	L	W	E	F	G	S
	Clamping Diameter	Hole Diameter	Center to Center	Width	Hole/Slot Center to End	Gap	Material Thickness	Slot Length
	± .015	± .005	± .031	± .010	± .015	± .032	± .002	± .020
F311-009	0.562	0.281	0.687	0.500	0.312	0.062	0.048	0.375
F312-009	0.562	0.343	0.750	0.625	0.375	0.062	0.048	0.437
F313-009	0.562	0.406	0.812	0.750	0.437	0.062	0.048	0.500
F314-009	0.562	0.468	0.875	0.875	0.500	0.062	0.048	0.562
F315-009	0.562	0.531	0.937	1.000	0.562	0.062	0.048	0.625
F311-010	0.625	0.281	0.718	0.500	0.312	0.062	0.048	0.375
F312-010	0.625	0.343	0.781	0.625	0.375	0.062	0.048	0.437
F313-010	0.625	0.406	0.843	0.750	0.437	0.062	0.048	0.500
F314-010	0.625	0.468	0.906	0.875	0.500	0.062	0.048	0.562
F315-010	0.625	0.531	0.968	1.000	0.562	0.062	0.048	0.625
F311-011	0.687	0.281	0.750	0.500	0.312	0.062	0.048	0.375
F312-011	0.687	0.343	0.812	0.625	0.375	0.062	0.048	0.437
F313-011	0.687	0.406	0.875	0.750	0.437	0.062	0.048	0.500
F314-011	0.687	0.468	0.937	0.875	0.500	0.062	0.048	0.562
F315-011	0.687	0.531	1.000	1.000	0.562	0.062	0.048	0.625
F311-012	0.750	0.281	0.781	0.500	0.312	0.062	0.048	0.375
F312-012	0.750	0.343	0.843	0.625	0.375	0.062	0.048	0.437
F313-012	0.750	0.406	0.906	0.750	0.437	0.062	0.048	0.500
F314-012	0.750	0.468	0.968	0.875	0.500	0.062	0.048	0.562
F315-012	0.750	0.531	1.031	1.000	0.562	0.062	0.048	0.625
F311-013	0.812	0.281	0.812	0.500	0.312	0.062	0.048	0.375
F312-013	0.812	0.343	0.875	0.625	0.375	0.062	0.048	0.437
F313-013	0.812	0.406	0.937	0.750	0.437	0.062	0.048	0.500
F314-013	0.812	0.468	1.000	0.875	0.500	0.062	0.048	0.562
F315-013	0.812	0.531	1.062	1.000	0.562	0.062	0.048	0.625
F311-014	0.875	0.281	0.843	0.500	0.312	0.062	0.048	0.375
F312-014	0.875	0.343	0.906	0.625	0.375	0.062	0.048	0.437
F313-014	0.875	0.406	0.968	0.750	0.437	0.062	0.048	0.500
F314-014	0.875	0.468	1.031	0.875	0.500	0.062	0.048	0.562
F315-014	0.875	0.531	1.093	1.000	0.562	0.062	0.048	0.625



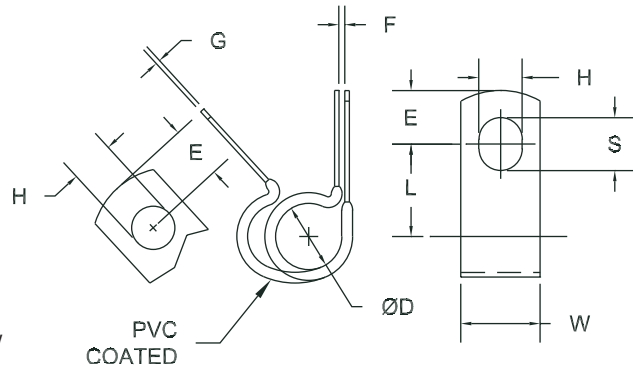
310 SERIES MEDIUM DUTY CLAMP — COATED

Clip Specifications

Diameter: 1/8" - 4"
Bolt Size: 1/4" - 1/2"
Position: Furnished Open
Coating: Black Vinyl Plastisol Coating Per SAE J200
 0.032" Thick ± .015"

Notes: Medium duty clip that can be slipped over a tube or wire and closed with a bolt at assembly, one round hole and one slot for ease of alignment, and a developed shape for proper closing.

Material Code: A - ASTM A653 CS Type B G90 Galvanized Steel
 B - ASTM A1008 CS Type B Low Carbon Steel Zinc Plate per ASTM B633 Fe/Zn 8 Type VI Yellow



Part Number Call Out

F313-008 A Clamp Coated, Galv, 1/2" Dia, 3/8" Bolt

Material Code
 Base Part Number

Different sizes, materials, and/or finishes not shown can be manufactured to meet your specifications

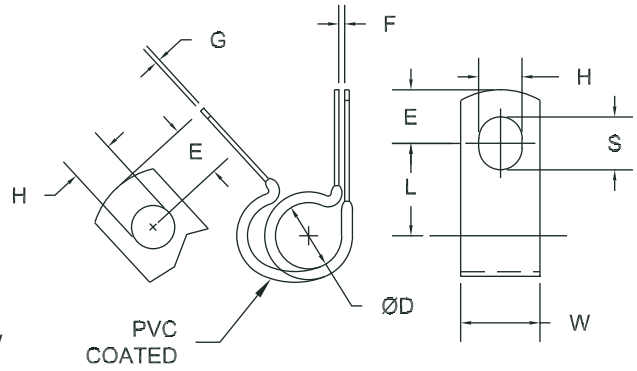
Base Part Number	D	H	L	W	E	F	G	S
	Clamping Diameter	Hole Diameter	Center to Center	Width	Hole/Slot Center to End	Gap	Material Thickness	Slot Length
	± .015	± .005	± .031	± .010	± .015	± .032	± .002	± .020
F311-015	0.937	0.281	0.875	0.500	0.312	0.062	0.048	0.375
F312-015	0.937	0.343	0.937	0.625	0.375	0.062	0.048	0.437
F313-015	0.937	0.406	1.000	0.750	0.437	0.062	0.048	0.500
F314-015	0.937	0.468	1.062	0.875	0.500	0.062	0.048	0.562
F315-015	0.937	0.531	1.125	1.000	0.562	0.062	0.048	0.625
F311-016	1.000	0.281	0.906	0.500	0.312	0.062	0.048	0.375
F312-016	1.000	0.343	0.968	0.625	0.375	0.062	0.048	0.437
F313-016	1.000	0.406	1.031	0.750	0.437	0.062	0.048	0.500
F314-016	1.000	0.468	1.093	0.875	0.500	0.062	0.048	0.562
F315-016	1.000	0.531	1.156	1.000	0.562	0.062	0.048	0.625
F311-017	1.062	0.281	0.937	0.500	0.312	0.062	0.048	0.375
F312-017	1.062	0.343	1.000	0.625	0.375	0.062	0.048	0.437
F313-017	1.062	0.406	1.062	0.750	0.437	0.062	0.048	0.500
F314-017	1.062	0.468	1.125	0.875	0.500	0.062	0.048	0.562
F315-017	1.062	0.531	1.187	1.000	0.562	0.062	0.048	0.625
F311-018	1.125	0.281	0.968	0.500	0.312	0.062	0.048	0.375
F312-018	1.125	0.343	1.031	0.625	0.375	0.062	0.048	0.437
F313-018	1.125	0.406	1.093	0.750	0.437	0.062	0.048	0.500
F314-018	1.125	0.468	1.156	0.875	0.500	0.062	0.048	0.562
F315-018	1.125	0.531	1.218	1.000	0.562	0.062	0.048	0.625
F311-019	1.187	0.281	1.000	0.500	0.312	0.062	0.048	0.375
F312-019	1.187	0.343	1.062	0.625	0.375	0.062	0.048	0.437
F313-019	1.187	0.406	1.125	0.750	0.437	0.062	0.048	0.500
F314-019	1.187	0.468	1.187	0.875	0.500	0.062	0.048	0.562
F315-019	1.187	0.531	1.250	1.000	0.562	0.062	0.048	0.625
F311-020	1.250	0.281	1.031	0.500	0.312	0.062	0.048	0.375
F312-020	1.250	0.343	1.093	0.625	0.375	0.062	0.048	0.437
F313-020	1.250	0.406	1.156	0.750	0.437	0.062	0.048	0.500
F314-020	1.250	0.468	1.218	0.875	0.500	0.062	0.048	0.562
F315-020	1.250	0.531	1.281	1.000	0.562	0.062	0.048	0.625



Clip Specifications

Diameter: 1/8" - 4"
Bolt Size: 1/4" - 1/2"
Position: Furnished Open
Coating: Black Vinyl Plastisol Coating Per SAE J200
 0.032" Thick ± .015"
Notes: Medium duty clip that can be slipped over a tube or wire and closed with a bolt at assembly, one round hole and one slot for ease of alignment, and a developed shape for proper closing.

Material Code: A - ASTM A653 CS Type B G90 Galvanized Steel
 B - ASTM A1008 CS Type B Low Carbon Steel Zinc Plate per ASTM B633 Fe/Zn 8 Type VI Yellow



Part Number Call Out

F313-008 A Clamp Coated, Galv, 1/2" Dia, 3/8" Bolt
 — Material Code
 — Base Part Number

Different sizes, materials, and/or finishes not shown can be manufactured to meet your specifications

Base Part Number	D	H	L	W	E	F	G	S
	Clamping Diameter	Hole Diameter	Center to Center	Width	Hole/Slot Center to End	Gap	Material Thickness	Slot Length
	± .015	± .005	± .031	± .010	± .015	± .032	± .002	± .020
F311-021	1.312	0.281	1.062	0.500	0.312	0.062	0.048	0.375
F312-021	1.312	0.343	1.125	0.625	0.375	0.062	0.048	0.437
F313-021	1.312	0.406	1.187	0.750	0.437	0.062	0.048	0.500
F314-021	1.312	0.468	1.250	0.875	0.500	0.062	0.048	0.562
F315-021	1.312	0.531	1.312	1.000	0.562	0.062	0.048	0.625
F311-022	1.375	0.281	1.093	0.500	0.312	0.062	0.048	0.375
F312-022	1.375	0.343	1.156	0.625	0.375	0.062	0.048	0.437
F313-022	1.375	0.406	1.218	0.750	0.437	0.062	0.048	0.500
F314-022	1.375	0.468	1.281	0.875	0.500	0.062	0.048	0.562
F315-022	1.375	0.531	1.343	1.000	0.562	0.062	0.048	0.625
F311-023	1.437	0.281	1.125	0.500	0.312	0.062	0.048	0.375
F312-023	1.437	0.343	1.187	0.625	0.375	0.062	0.048	0.437
F313-023	1.437	0.406	1.250	0.750	0.437	0.062	0.048	0.500
F314-023	1.437	0.468	1.312	0.875	0.500	0.062	0.048	0.562
F315-023	1.437	0.531	1.375	1.000	0.562	0.062	0.048	0.625
F311-024	1.500	0.281	1.156	0.500	0.312	0.062	0.048	0.375
F312-024	1.500	0.343	1.218	0.625	0.375	0.062	0.048	0.437
F313-024	1.500	0.406	1.281	0.750	0.437	0.062	0.048	0.500
F314-024	1.500	0.468	1.343	0.875	0.500	0.062	0.048	0.562
F315-024	1.500	0.531	1.406	1.000	0.562	0.062	0.048	0.625
F311-025	1.562	0.281	1.187	0.500	0.312	0.062	0.048	0.375
F312-025	1.562	0.343	1.250	0.625	0.375	0.062	0.048	0.437
F313-025	1.562	0.406	1.312	0.750	0.437	0.062	0.048	0.500
F314-025	1.562	0.468	1.375	0.875	0.500	0.062	0.048	0.562
F315-025	1.562	0.531	1.437	1.000	0.562	0.062	0.048	0.625
F311-026	1.625	0.281	1.218	0.500	0.312	0.062	0.048	0.375
F312-026	1.625	0.343	1.281	0.625	0.375	0.062	0.048	0.437
F313-026	1.625	0.406	1.343	0.750	0.437	0.062	0.048	0.500
F314-026	1.625	0.468	1.406	0.875	0.500	0.062	0.048	0.562
F315-026	1.625	0.531	1.468	1.000	0.562	0.062	0.048	0.625



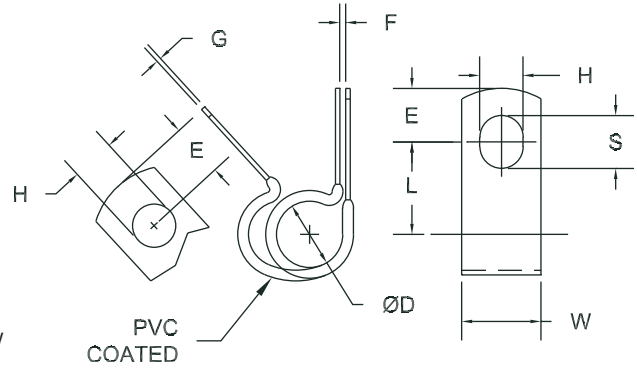
310 SERIES MEDIUM DUTY CLAMP — COATED

Clip Specifications

Diameter: 1/8" - 4"
Bolt Size: 1/4" - 1/2"
Position: Furnished Open
Coating: Black Vinyl Plastisol Coating Per SAE J200
 0.032" Thick ± .015"

Notes: Medium duty clip that can be slipped over a tube or wire and closed with a bolt at assembly, one round hole and one slot for ease of alignment, and a developed shape for proper closing.

Material Code: A - ASTM A653 CS Type B G90 Galvanized Steel
 B - ASTM A1008 CS Type B Low Carbon Steel Zinc Plate per ASTM B633 Fe/Zn 8 Type VI Yellow



Part Number Call Out

F313-008 A Clamp Coated, Galv, 1/2" Dia, 3/8" Bolt
 ————— Material Code
 ————— Base Part Number

Different sizes, materials, and/or finishes not shown can be manufactured to meet your specifications

Base Part Number	D	H	L	W	E	F	G	S
	Clamping Diameter	Hole Diameter	Center to Center	Width	Hole/Slot Center to End	Gap	Material Thickness	Slot Length
	± .015	± .005	± .031	± .010	± .015	± .032	± .002	± .020
F311-027	1.687	0.281	1.250	0.500	0.312	0.062	0.048	0.375
F312-027	1.687	0.343	1.312	0.625	0.375	0.062	0.048	0.437
F313-027	1.687	0.406	1.375	0.750	0.437	0.062	0.048	0.500
F314-027	1.687	0.468	1.437	0.875	0.500	0.062	0.048	0.562
F315-027	1.687	0.531	1.500	1.000	0.562	0.062	0.048	0.625
F311-028	1.750	0.281	1.281	0.500	0.312	0.062	0.048	0.375
F312-028	1.750	0.343	1.343	0.625	0.375	0.062	0.048	0.437
F313-028	1.750	0.406	1.406	0.750	0.437	0.062	0.048	0.500
F314-028	1.750	0.468	1.468	0.875	0.500	0.062	0.048	0.562
F315-028	1.750	0.531	1.531	1.000	0.562	0.062	0.048	0.625
F311-029	1.812	0.281	1.312	0.500	0.312	0.062	0.048	0.375
F312-029	1.812	0.343	1.375	0.625	0.375	0.062	0.048	0.437
F313-029	1.812	0.406	1.437	0.750	0.437	0.062	0.048	0.500
F314-029	1.812	0.468	1.500	0.875	0.500	0.062	0.048	0.562
F315-029	1.812	0.531	1.562	1.000	0.562	0.062	0.048	0.625
F311-030	1.875	0.281	1.343	0.500	0.312	0.062	0.048	0.375
F312-030	1.875	0.343	1.406	0.625	0.375	0.062	0.048	0.437
F313-030	1.875	0.406	1.468	0.750	0.437	0.062	0.048	0.500
F314-030	1.875	0.468	1.531	0.875	0.500	0.062	0.048	0.562
F315-030	1.875	0.531	1.593	1.000	0.562	0.062	0.048	0.625
F311-031	1.937	0.281	1.375	0.500	0.312	0.062	0.048	0.375
F312-031	1.937	0.343	1.437	0.625	0.375	0.062	0.048	0.437
F313-031	1.937	0.406	1.500	0.750	0.437	0.062	0.048	0.500
F314-031	1.937	0.468	1.562	0.875	0.500	0.062	0.048	0.562
F315-031	1.937	0.531	1.625	1.000	0.562	0.062	0.048	0.625
F311-032	2.000	0.281	1.437	0.500	0.312	0.062	0.048	0.375
F312-032	2.000	0.343	1.500	0.625	0.375	0.062	0.048	0.437
F313-032	2.000	0.406	1.562	0.750	0.437	0.062	0.048	0.500
F314-032	2.000	0.468	1.625	0.875	0.500	0.062	0.048	0.562
F315-032	2.000	0.531	1.687	1.000	0.562	0.062	0.048	0.625

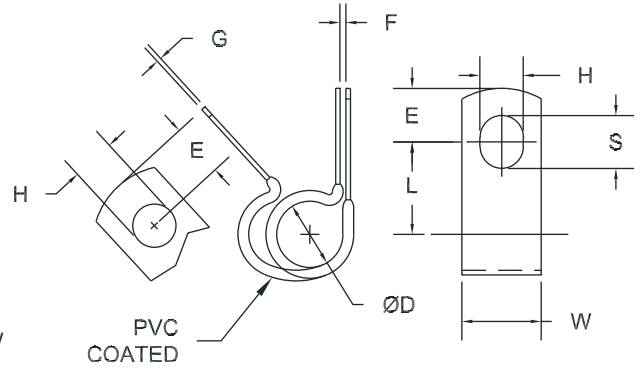


Clip Specifications

Diameter: 1/8" - 4"
Bolt Size: 1/4" - 1/2"
Position: Furnished Open
Coating: Black Vinyl Plastisol Coating Per SAE J200
 0.032" Thick ± .015"

Notes: Medium duty clip that can be slipped over a tube or wire and closed with a bolt at assembly, one round hole and one slot for ease of alignment, and a developed shape for proper closing.

Material Code: A - ASTM A653 CS Type B G90 Galvanized Steel
 B - ASTM A1008 CS Type B Low Carbon Steel Zinc Plate per ASTM B633 Fe/Zn 8 Type VI Yellow



Part Number Call Out

F313-008 A Clamp Coated, Galv, 1/2" Dia, 3/8" Bolt
 Material Code
 Base Part Number

Different sizes, materials, and/or finishes not shown can be manufactured to meet your specifications

Base Part Number	D	H	L	W	E	F	G	S
	Clamping Diameter	Hole Diameter	Center to Center	Width	Hole/Slot Center to End	Gap	Material Thickness	Slot Length
	± .015	± .005	± .031	± .010	± .015	± .032	± .002	± .020
F311-033	2.062	0.281	1.468	0.500	0.312	0.062	0.048	0.375
F312-033	2.062	0.343	1.531	0.625	0.375	0.062	0.048	0.437
F313-033	2.062	0.406	1.593	0.750	0.437	0.062	0.048	0.500
F314-033	2.062	0.468	1.656	0.875	0.500	0.062	0.048	0.562
F315-033	2.062	0.531	1.718	1.000	0.562	0.062	0.048	0.625
F311-034	2.125	0.281	1.500	0.500	0.312	0.062	0.048	0.375
F312-034	2.125	0.343	1.562	0.625	0.375	0.062	0.048	0.437
F313-034	2.125	0.406	1.625	0.750	0.437	0.062	0.048	0.500
F314-034	2.125	0.468	1.688	0.875	0.500	0.062	0.048	0.562
F315-034	2.125	0.531	1.750	1.000	0.562	0.062	0.048	0.625
F311-035	2.187	0.281	1.531	0.500	0.312	0.062	0.048	0.375
F312-035	2.187	0.343	1.593	0.625	0.375	0.062	0.048	0.437
F313-035	2.187	0.406	1.656	0.750	0.437	0.062	0.048	0.500
F314-035	2.187	0.468	1.718	0.875	0.500	0.062	0.048	0.562
F315-035	2.187	0.531	1.781	1.000	0.562	0.062	0.048	0.625
F311-036	2.250	0.281	1.562	0.500	0.312	0.062	0.048	0.375
F312-036	2.250	0.343	1.625	0.625	0.375	0.062	0.048	0.437
F313-036	2.250	0.406	1.687	0.750	0.437	0.062	0.048	0.500
F314-036	2.250	0.468	1.750	0.875	0.500	0.062	0.048	0.562
F315-036	2.250	0.531	1.812	1.000	0.562	0.062	0.048	0.625
F311-038	2.375	0.281	1.625	0.500	0.312	0.062	0.048	0.375
F312-038	2.375	0.343	1.687	0.625	0.375	0.062	0.048	0.437
F313-038	2.375	0.406	1.750	0.750	0.437	0.062	0.048	0.500
F314-038	2.375	0.468	1.812	0.875	0.500	0.062	0.048	0.562
F315-038	2.375	0.531	1.875	1.000	0.562	0.062	0.048	0.625
F311-040	2.500	0.281	1.687	0.500	0.312	0.062	0.048	0.375
F312-040	2.500	0.343	1.750	0.625	0.375	0.062	0.048	0.437
F313-040	2.500	0.406	1.812	0.750	0.437	0.062	0.048	0.500
F314-040	2.500	0.468	1.875	0.875	0.500	0.062	0.048	0.562
F315-040	2.500	0.531	1.937	1.000	0.562	0.062	0.048	0.625



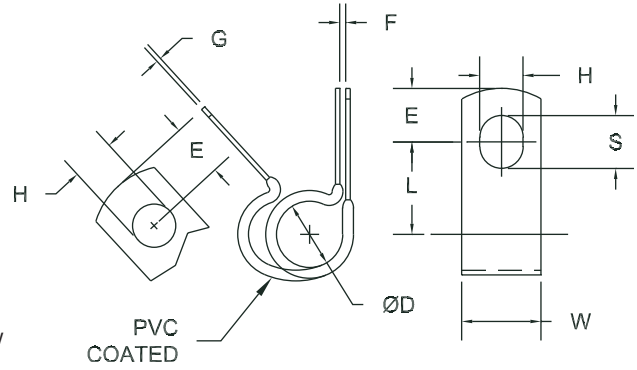
310 SERIES MEDIUM DUTY CLAMP — COATED

Clip Specifications

Diameter: 1/8" - 4"
Bolt Size: 1/4" - 1/2"
Position: Furnished Open
Coating: Black Vinyl Plastisol Coating Per SAE J200
 0.032" Thick ± .015"

Notes: Medium duty clip that can be slipped over a tube or wire and closed with a bolt at assembly, one round hole and one slot for ease of alignment, and a developed shape for proper closing.

Material Code: A - ASTM A653 CS Type B G90 Galvanized Steel
 B - ASTM A1008 CS Type B Low Carbon Steel Zinc Plate per ASTM B633 Fe/Zn 8 Type VI Yellow



Part Number Call Out

F313-008 A Clamp Coated, Galv, 1/2" Dia, 3/8" Bolt
 ———— Material Code
 ———— Base Part Number

Different sizes, materials, and/or finishes not shown can be manufactured to meet your specifications

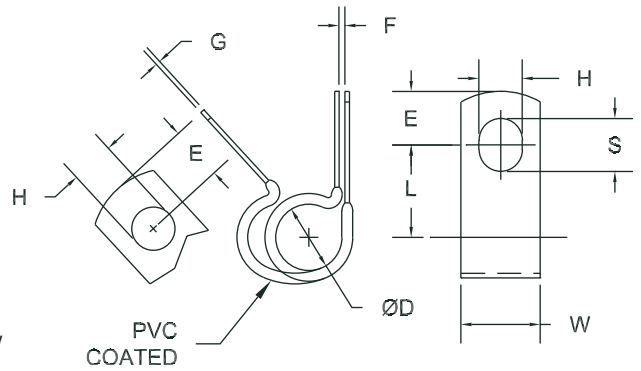
Base Part Number	D	H	L	W	E	F	G	S
	Clamping Diameter	Hole Diameter	Center to Center	Width	Hole/Slot Center to End	Gap	Material Thickness	Slot Length
	± .015	± .005	± .031	± .010	± .015	± .032	± .002	± .020
F311-042	2.625	0.281	1.750	0.500	0.312	0.062	0.048	0.375
F312-042	2.625	0.343	1.812	0.625	0.375	0.062	0.048	0.437
F313-042	2.625	0.406	1.875	0.750	0.437	0.062	0.048	0.500
F314-042	2.625	0.468	1.937	0.875	0.500	0.062	0.048	0.562
F315-042	2.625	0.531	2.000	1.000	0.562	0.062	0.048	0.625
F311-044	2.750	0.281	1.812	0.500	0.312	0.062	0.048	0.375
F312-044	2.750	0.343	1.875	0.625	0.375	0.062	0.048	0.437
F313-044	2.750	0.406	1.937	0.750	0.437	0.062	0.048	0.500
F314-044	2.750	0.468	2.000	0.875	0.500	0.062	0.048	0.562
F315-044	2.750	0.531	2.062	1.000	0.562	0.062	0.048	0.625
F311-046	2.875	0.281	1.875	0.500	0.312	0.062	0.048	0.375
F312-046	2.875	0.343	1.937	0.625	0.375	0.062	0.048	0.437
F313-046	2.875	0.406	2.000	0.750	0.437	0.062	0.048	0.500
F314-046	2.875	0.468	2.062	0.875	0.500	0.062	0.048	0.562
F315-046	2.875	0.531	2.125	1.000	0.562	0.062	0.048	0.625
F311-048	3.000	0.281	1.937	0.500	0.312	0.062	0.048	0.375
F312-048	3.000	0.343	2.000	0.625	0.375	0.062	0.048	0.437
F313-048	3.000	0.406	2.062	0.750	0.437	0.062	0.048	0.500
F314-048	3.000	0.468	2.125	0.875	0.500	0.062	0.048	0.562
F315-048	3.000	0.531	2.187	1.000	0.562	0.062	0.048	0.625
F311-052	3.250	0.281	2.062	0.500	0.312	0.062	0.048	0.375
F312-052	3.250	0.343	2.125	0.625	0.375	0.062	0.048	0.437
F313-052	3.250	0.406	2.187	0.750	0.437	0.062	0.048	0.500
F314-052	3.250	0.468	2.250	0.875	0.500	0.062	0.048	0.562
F315-052	3.250	0.531	2.312	1.000	0.562	0.062	0.048	0.625
F311-056	3.500	0.281	2.187	0.500	0.312	0.062	0.048	0.375
F312-056	3.500	0.343	2.250	0.625	0.375	0.062	0.048	0.437
F313-056	3.500	0.406	2.312	0.750	0.437	0.062	0.048	0.500
F314-056	3.500	0.468	2.375	0.875	0.500	0.062	0.048	0.562
F315-056	3.500	0.531	2.437	1.000	0.562	0.062	0.048	0.625



Clip Specifications

Diameter: 1/8" - 4"
Bolt Size: 1/4" - 1/2"
Position: Furnished Open
Coating: Black Vinyl Plastisol Coating Per SAE J200
 0.032" Thick ± .015"
Notes: Medium duty clip that can be slipped over a tube or wire and closed with a bolt at assembly, one round hole and one slot for ease of alignment, and a developed shape for proper closing.

Material Code: A - ASTM A653 CS Type B G90
 Galvanized Steel
 B - ASTM A1008 CS Type B Low Carbon Steel
 Zinc Plate per ASTM B633 Fe/Zn 8 Type VI Yellow



Part Number Call Out

F313-008 A Clamp Coated, Galv, 1/2" Dia, 3/8" Bolt
 └───┬─── Material Code
 └───┬─── Base Part Number

Different sizes, materials, and/or finishes not shown can be manufactured to meet your specifications

Base Part Number	D	H	L	W	E	F	G	S
	Clamping Diameter	Hole Diameter	Center to Center	Width	Hole/Slot Center to End	Gap	Material Thickness	Slot Length
	± .015	± .005	± .031	± .010	± .015	± .032	± .002	± .020
F311-060	3.750	0.281	2.312	0.500	0.312	0.062	0.048	0.375
F312-060	3.750	0.343	2.375	0.625	0.375	0.062	0.048	0.437
F313-060	3.750	0.406	2.437	0.750	0.437	0.062	0.048	0.500
F314-060	3.750	0.468	2.500	0.875	0.500	0.062	0.048	0.562
F315-060	3.750	0.531	2.562	1.000	0.562	0.062	0.048	0.625
F311-064	4.000	0.281	2.437	0.500	0.312	0.062	0.048	0.375
F312-064	4.000	0.343	2.500	0.625	0.375	0.062	0.048	0.437
F313-064	4.000	0.406	2.562	0.750	0.437	0.062	0.048	0.500
F314-064	4.000	0.468	2.625	0.875	0.500	0.062	0.048	0.562
F315-064	4.000	0.531	2.687	1.000	0.562	0.062	0.048	0.625

